

1973

EC73-422 Zipper Methods

Anna Marie Kreifels

Jane Speece

Follow this and additional works at: <http://digitalcommons.unl.edu/extensionhist>

Kreifels, Anna Marie and Speece, Jane, "EC73-422 Zipper Methods" (1973). *Historical Materials from University of Nebraska-Lincoln Extension*. 4202.

<http://digitalcommons.unl.edu/extensionhist/4202>

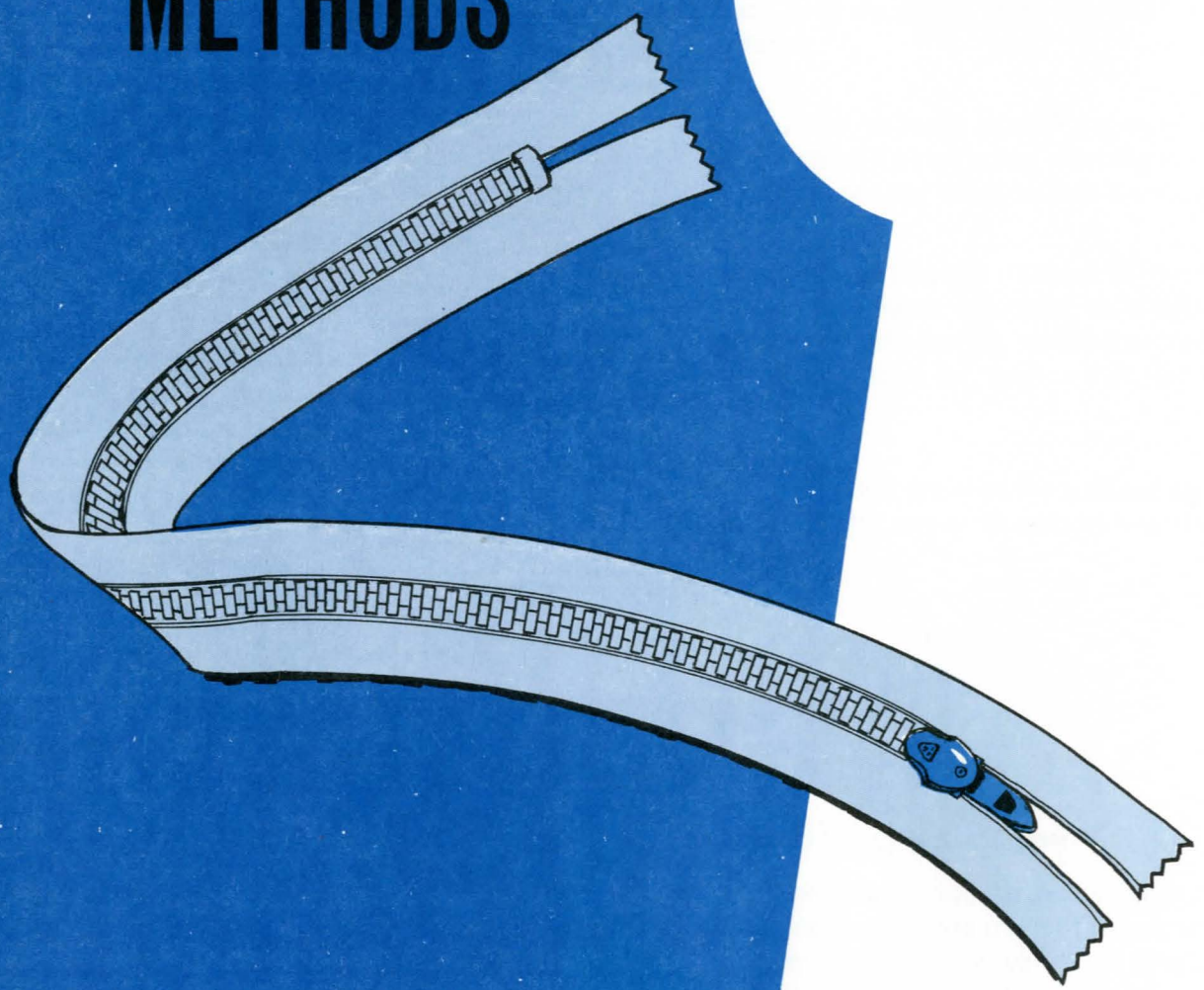
This Article is brought to you for free and open access by the Extension at DigitalCommons@University of Nebraska - Lincoln. It has been accepted for inclusion in Historical Materials from University of Nebraska-Lincoln Extension by an authorized administrator of DigitalCommons@University of Nebraska - Lincoln.

CYT
Vert.
File
S
85
E7
No. 472

EC 73-422

ZIPPER

METHODS



Extension Service, University of Nebraska-Lincoln College of Agriculture Cooperating with the
U. S. Department of Agriculture and the College of Home Economics
J. L. Adams, Director

ZIPPER

METHODS

Anna Marie Kreifels (Area Extension Agent)
Jane Speece (Clothing Specialist)

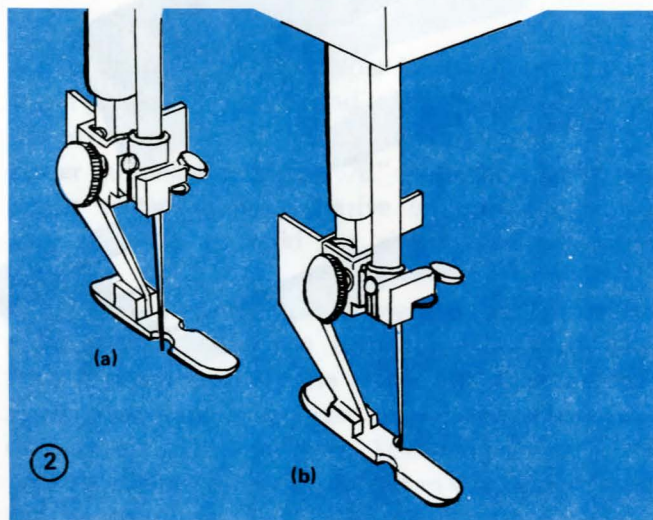
Inserting zippers is not difficult if you choose the correct type of zipper, follow directions for its application, and sew accurately. The method you use should result in a smooth, inconspicuous placket, securely and neatly stitched.

Pattern envelopes list the length and type of zipper best suited to the design of the garment. The cut and style of the garment determine where the placket should be placed.

Instruction sheets enclosed with patterns and zippers give directions for various application methods. This circular gives directions for several commonly used zipper applications.

General Tips for Zipper Application

1. Choose the type, length and color of zipper best suited to the design of the garment.
2. For easier and neater zipper application use an adjustable zipper foot attachment on your sewing machine. This "one-toed" foot can be moved to either side of the needle and length of stitch best suited to your fabric.



3. If the seam allowance is less than 5/8 inch, the width will need to be extended. This can be done by attaching a facing of self-fabric, lining fabric or seam tape (pre-shrunk). If the self-fabric is bulky, a facing made of lining fabric or seam tape is preferred.

4. Staystitch the seam edges which form the placket opening. This will prevent curved edges of the fabric from being stretched off grain. If the placket opening runs along the straight of grain, such as in the center back, stay stitching will not be needed.

5. To maintain proper grainline in the zipper area begin all pinning and stitching at the lower end of the zipper and stitch toward the top.

6. If the fabric is difficult to handle or if your sewing experience is limited, hand baste before you machine stitch. Sewing, masking or transparent tape may be needed for fabrics that will show needle marks.

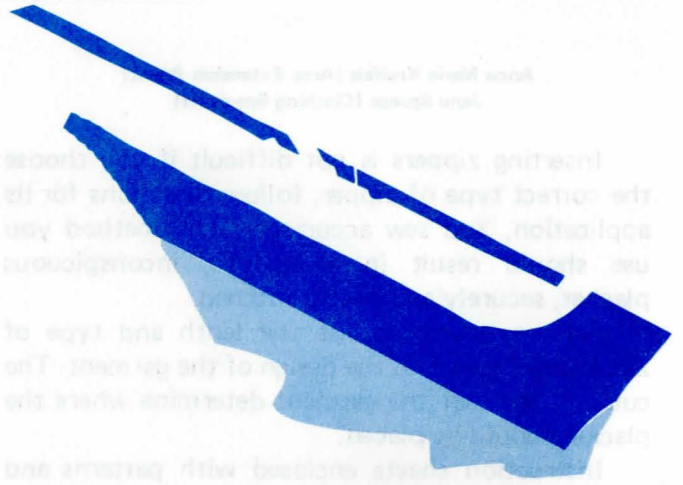
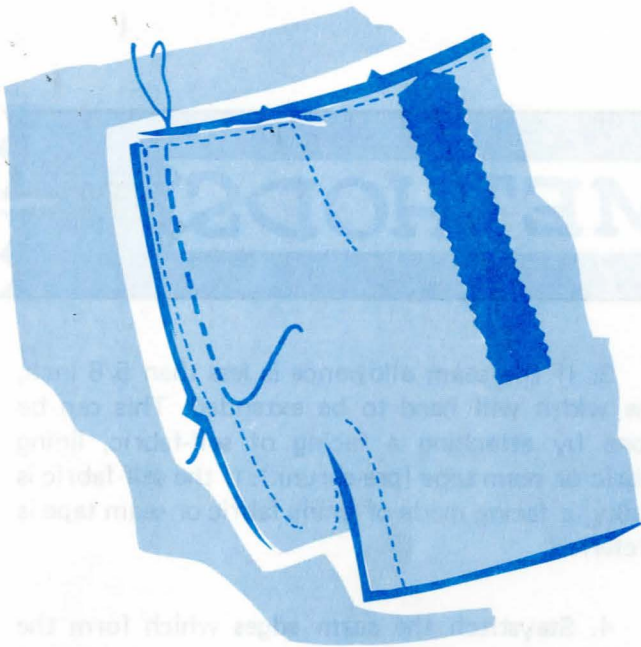
7. Do not cut ends from zipper tape. They help to make the zipper lie smoothly and neatly in the garment.

8. Press as you sew.

Lapped Skirt Placket Zipper

The opening for the skirt placket should be one inch longer than the chain of the zipper. The zipper is inserted before the waistband is applied. Select a skirt placket zipper 7 inches or 9 inches long, depending on the design of the skirt and the suggestion on the pattern envelope.

ZIPPER



4. Lay out the zipper tape which form the zipper opening. This will prevent curved edges of the fabric from being stretched off grain. If the zipper opening runs along the straight of grain, such as in the center back, stay stitches will not be needed.

5. To maintain proper grainline in the zipper area begin all pinning and stitching at the lower end of the zipper and stitch toward the top.

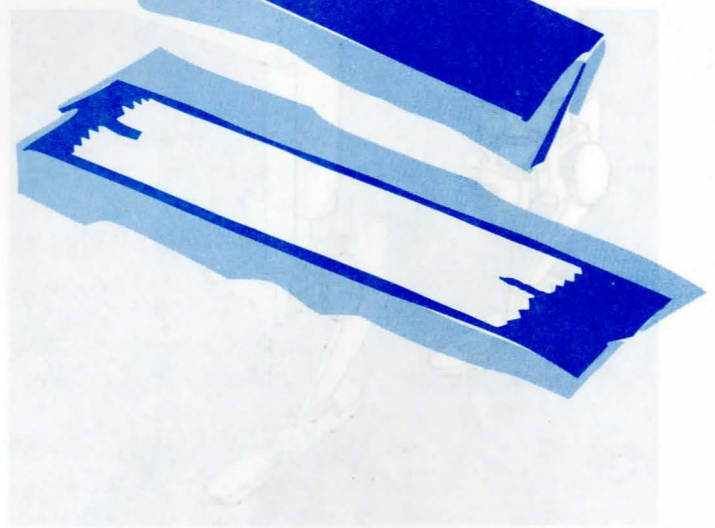
6. If the fabric is difficult to handle or if your sewing experience is limited, hand baste before you machine stitch. Sewing, marking or transferring may be needed for fabrics that will show needle marks.

7. Do not cut ends from zipper tape. They help to make the zipper lie smoothly in the fabric.



General Tips for Zipper Application

1. Choose the type, length and color of zipper best suited to the design of the garment.
2. For water and water zipper application on adjustable zipper foot attachment on sewing machine. The zipper foot should be moved to other side of the machine.



Overlap: The Overlap side of the skirt may be completed from the right or the wrong side.

4. To complete the zipper from the right side for fabrics that will not show pin marks, place skirt right side up. Pin zipper in position from right side. Insert pins crosswise under chain of zipper, alternating direction of pins. Hand baste or use zipper adhesive or transparent tape to hold the zipper while stitching.

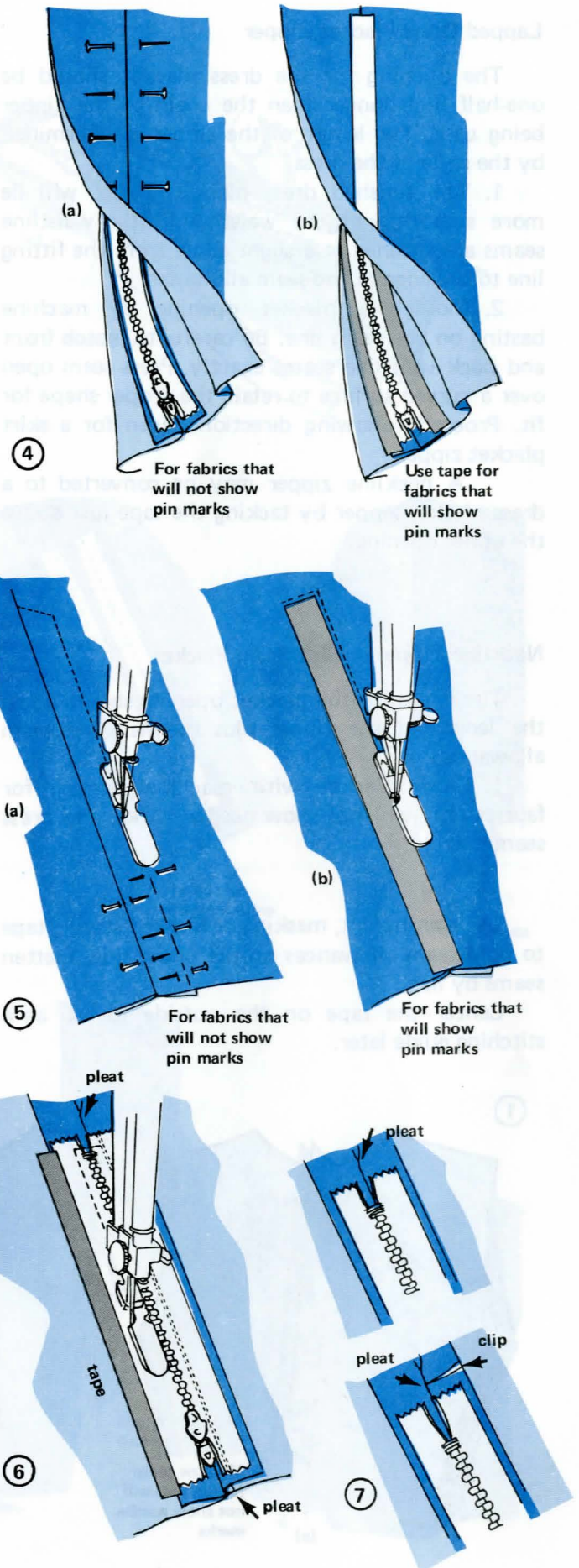
For fabrics that will show pin marks, use the tape holding the seam as a guideline for the stitching.

5. From right side of skirt stitch across lower end of zipper toward the top of placket keeping the stitching line $\frac{3}{8}$ to $\frac{1}{2}$ inch from the side seamline. This final stitching must sew through the skirt front, the front seam allowance and the front zipper tape. Remove hand basting or tape.

6. To complete the zipper from the wrong side, stitch across the lower end of the zipper, pivot at the corner and stitch to the upper opening. Use the zipper guideline or stitch $\frac{1}{8}$ " from the edge of the zipper teeth. Zipper adhesive or transparent tape may be used to hold the zipper in place while stitching.

7. Clip into the seam allowance just below the pleat formed when the zipper was installed. The seam allowance below the zipper will then lay flat.

8. Pull threads at lower end of zipper to inside of garment. Tie and trim. Trimming threads will prevent them from being caught in the zipper. Press the zipper.



Lapped Dress Placket Zipper

The opening for the dress placket should be one-half inch longer than the chain of the zipper being used. The length of the zipper is determined by the style of the dress.

1. The finished dress placket zipper will lie more smoothly at the waistline if the waistline seams are stitched at a slight angle from the fitting line to the edge of the seam allowance.

2. Close the placket opening by machine basting on the seam line. Be careful to match front and back waistline seams exactly. Press seam open over a curved surface to retain the proper shape for fit. Proceed following directions given for a skirt placket zipper.

A neckline zipper may be converted to a dress placket zipper by tacking the tape just above the upper opening.

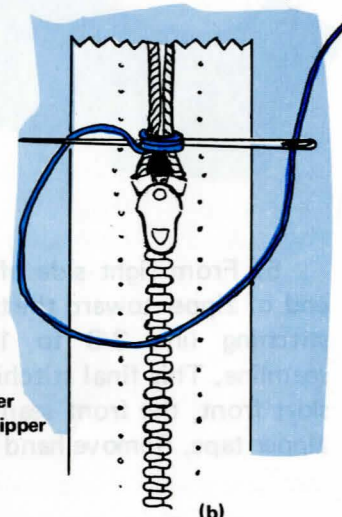
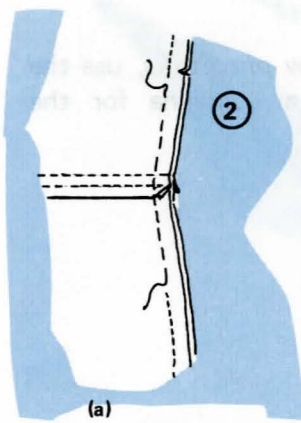
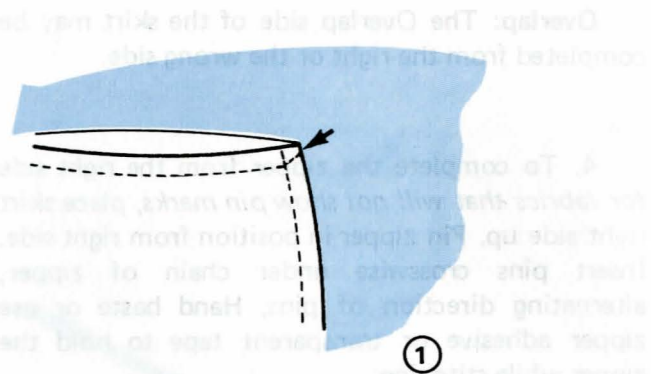
Neckline Zipper or Slot Seam Placket

The length of the placket opening should equal the length of the zipper plus the neckline seam allowance.

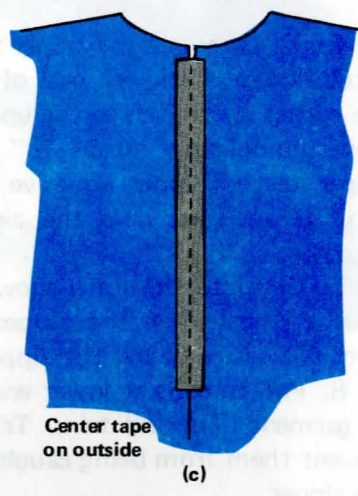
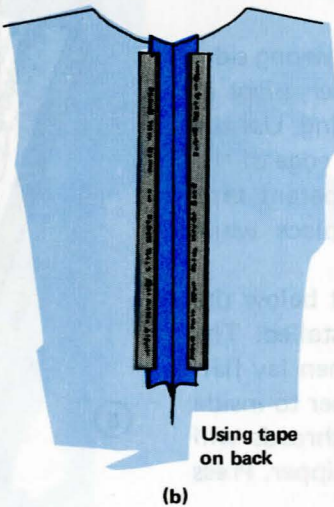
1. Close placket with machine basting for fabrics that will not show needle marks, and press seam open.

Use transparent, masking or marked sewing tape to hold seam allowances on the under side. Flatten seams by hand.

Center the tape on the outside to use as a stitching guide later.



Converting a neckline zipper to a placket zipper



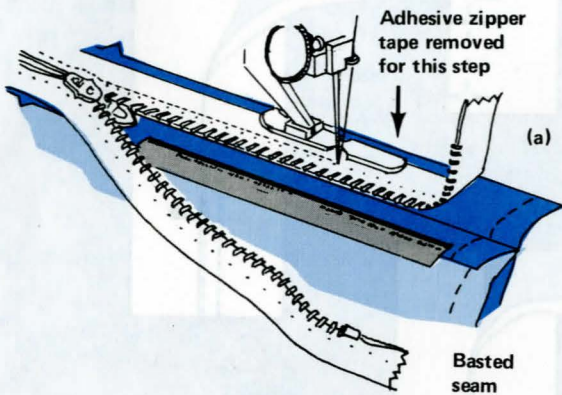
Machine baste fabrics that will not show needle marks

Using tape on back

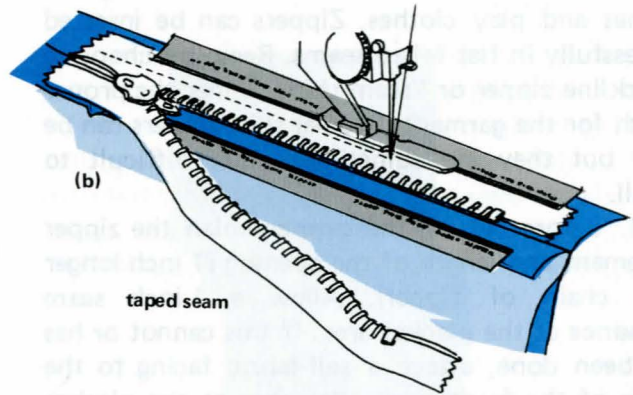
Center tape on outside

2. Open zipper. Place it face down on one seam allowance with teeth edge at seamline and bottom stop at lower end of basting. Sew through zipper tape and seam allowance only. Zipper tape or transparent tape may be used to hold the zipper in place.

Temporarily pull a taped seam loose so that this step may be completed.

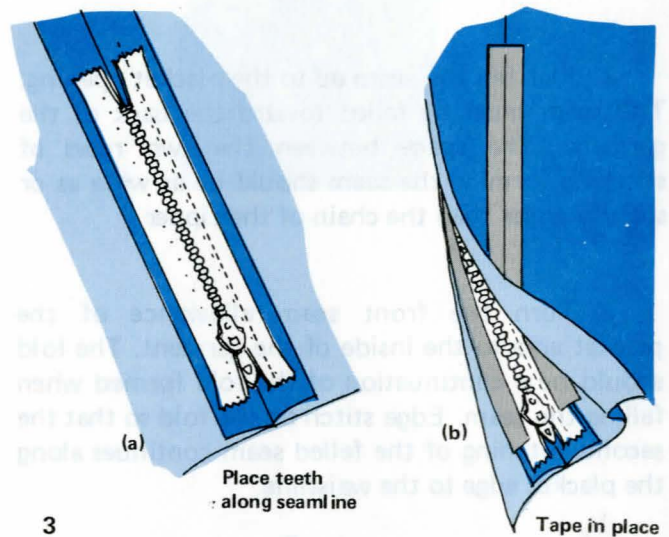


2



3. Close zipper. Place flat on seam allowance, making sure that the chain runs directly along the seamline. Tape in place with zipper tape or other tapes used in sewing.

If you are inexperienced, you may want to baste the zipper into place in fabrics that will not show needle holes. Insert pins crosswise under chain of zipper, alternating directions of pins, then baste.

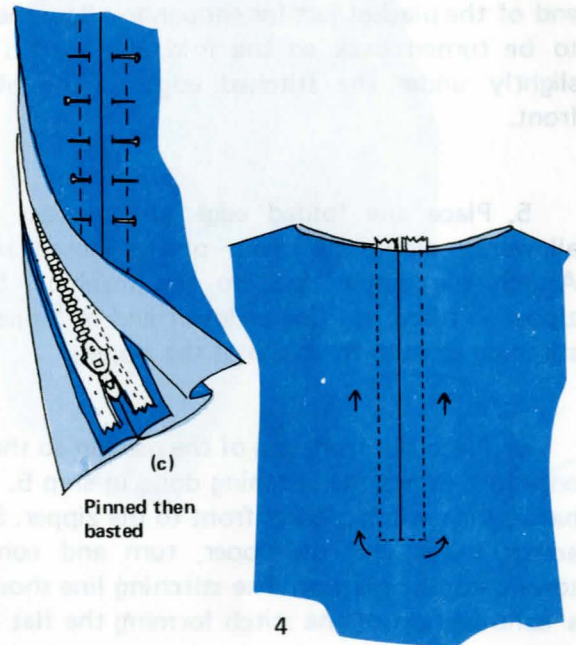


3

4. From the right side of the garment stitch from the seamline at the lower end of zipper and along zipper toward neckline. Starting again at the seamline, stitch across the lower end of the zipper and along the other side toward neckline. Keep stitchings on each side of the zipper an equal distance (about 1/4 inch) from the original seamline.

The zipper may be completed from the wrong side of the garment, but the garment will look nicer if the zipper is stitched from the right side.

5. Pull threads at lower end of zipper to the inside of the garment. Tie and clip threads. Remove basting or tape. Press if the fabric can be pressed.



4

Flat Felled Seam Zipper

Flat felled seams are often used in sports clothes and play clothes. Zippers can be inserted successfully in flat felled seams. Begin by choosing a neckline zipper or "seam thin" zipper the proper length for the garment. Regular skirt zippers can be used but they are sometimes more difficult to install.

1. Before cutting the garment plan the zipper placement and length of the opening (1 inch longer than chain of zipper). Allow a 1-inch seam allowance at the placket area. If this cannot or has not been done, attach a self-fabric facing to the inside of the front seam allowance at the placket opening.

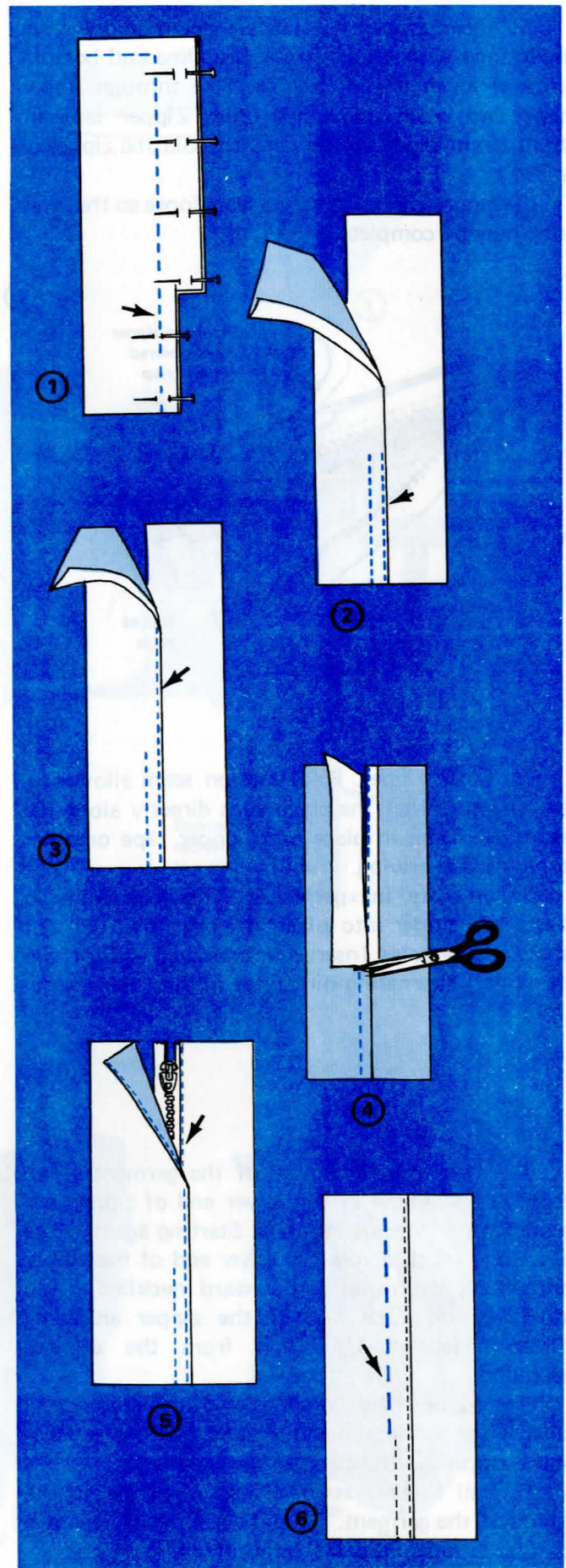
2. Flat fell the seam up to the placket opening. The seam must be felled toward the back of the garment. The space between the two rows of stitching forming the seam should be as wide as or slightly wider than the chain of the zipper.

3. Turn the front seam allowance of the placket area to the inside of the garment. The fold should be a continuation of the fold formed when felling the seam. Edge stitch on the fold so that the second stitching of the felled seam continues along the placket edge to the waistline.

4. Clip the back seam allowance at the lower end of the placket just far enough to allow the edge to be turned back so the fold will extend only slightly under the stitched edge of the placket front.

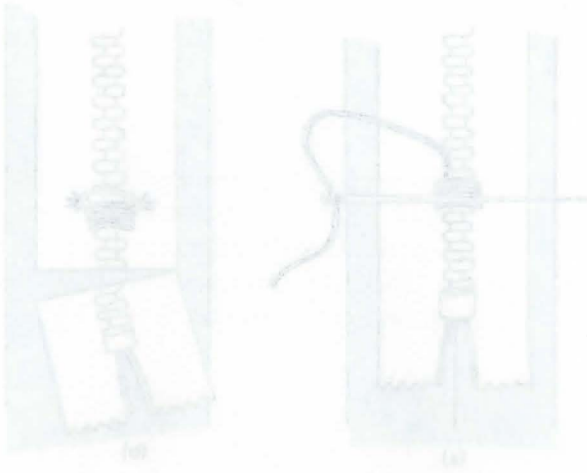
5. Place the folded edge of the back seam allowance along the chain of the closed zipper. Attach the zipper foot to the machine. Stitch zipper in place, starting at lower end of zipper and stitching close to the chain of the zipper.

6. Place the front lap of the placket so that the edge just covers the stitching done in step 5. Hand baste, then stitch placket front to the zipper. Stitch across lower end of zipper, turn and continue toward top of placket. The stitching line should be a continuation of the stitch forming the flat felled seam.



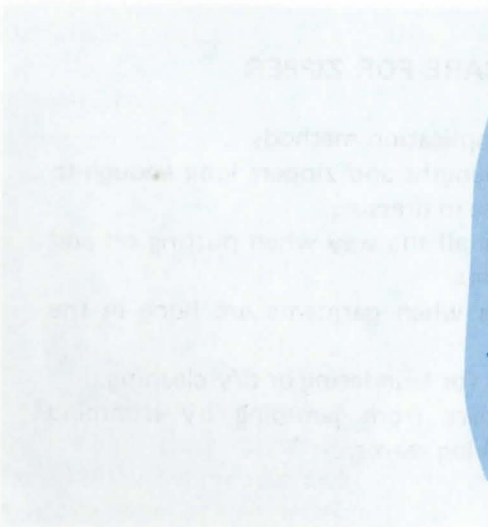
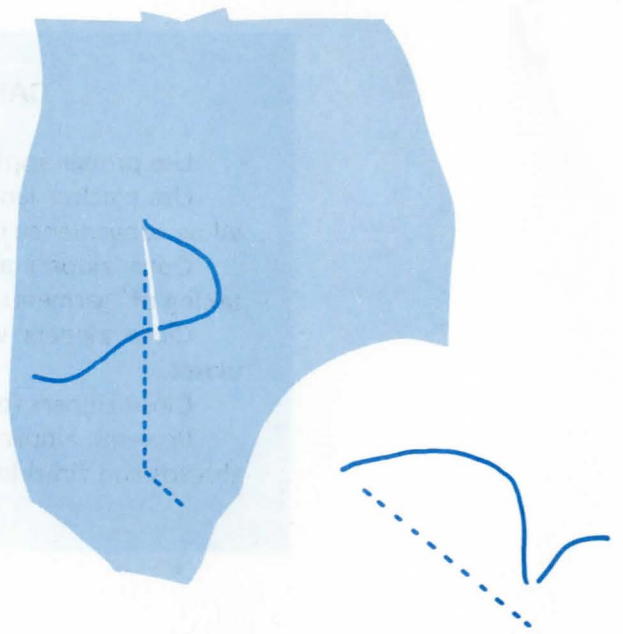
Cut Off From Bottom

Position zipper from top to bottom rather than from zipper stop at lower end. Complete the first stitching to the seam allowance. Then take several hand stitches over the end of the new opening. This stop may be strengthened by sewing a metal eye from a hook and eye just above the last stitch. Cut off unneeded portion. Compare the new application.



Cut Off From Top

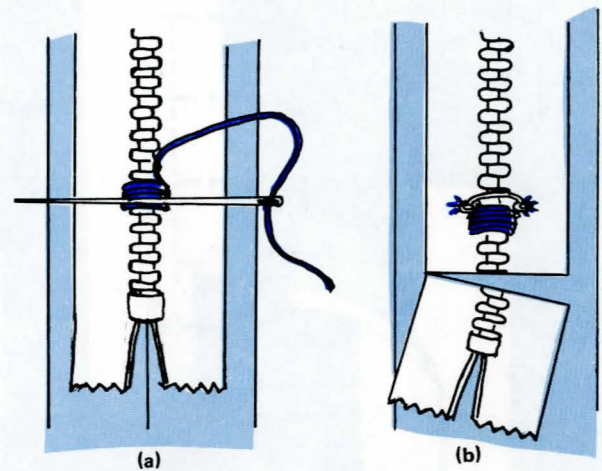
Position zipper in place with bottom stop opposite lower end of new opening. Apply stop in usual manner. Place zipper in new position. Take several hand stitches across each side of zipper to keep tab from sliding toward. Cut off unneeded portion.



Shortening Zippers

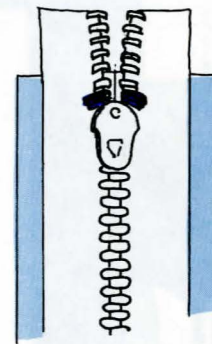
Cut Off From Bottom

Position zipper from top opening rather than from zipper stop at lower end. Complete the first stitching to the seam allowance. Then take several hand stitches over the end of the new opening. This stop may be strengthened by sewing a metal eye from a hook and eye just above the hand stitches. Cut off unneeded portion. Complete the zipper application.



Cut Off From Top

Position zipper in place with bottom stop opposite lower end of zipper opening. Apply zipper in usual manner. Place zipper tab in new position. Take several hand stitches across each side of zipper to keep tab from sliding upward. Cut off unneeded portion.



CARE FOR ZIPPER

Use proper application methods.

Use placket lengths and zippers long enough to allow convenience in dressing.

Open zippers all the way when putting on and taking off garments.

Close zippers when garments are hung in the closet.

Close zippers for laundering or dry cleaning.

Prevent zippers from jamming by trimming threads and finishing seams.