

January 2004

## Test 1837A: New Holland TC 55DA Diesel

Follow this and additional works at: <http://digitalcommons.unl.edu/tractormuseumlit>



Part of the [Applied Mechanics Commons](#)

---

"Test 1837A: New Holland TC 55DA Diesel" (2004). *Nebraska Tractor Tests*. 311.  
<http://digitalcommons.unl.edu/tractormuseumlit/311>

This Article is brought to you for free and open access by the Tractor Test and Power Museum, The Lester F. Larsen at DigitalCommons@University of Nebraska - Lincoln. It has been accepted for inclusion in Nebraska Tractor Tests by an authorized administrator of DigitalCommons@University of Nebraska - Lincoln.

# NEBRASKA TRACTOR TEST 1837A

## NEW HOLLAND TC 55DA DIESEL

### 12 SPEED

#### POWER TAKE-OFF PERFORMANCE

Power HP (kW)	Crank shaft speed rpm	Gal/hr (l/h)	lb/hp.hr (kg/kW.h)	Hp.hr/gal (kW.h/l)	Mean Atmospheric Conditions
---------------------	--------------------------------	-----------------	-----------------------	-----------------------	--------------------------------

#### MAXIMUM POWER AND FUEL CONSUMPTION

Rated Engine Speed—(PTO speed—589 rpm)					
48.01 (35.80)	2700	3.95 (14.93)	0.577 (0.351)	12.17 (2.40)	
Standard Power Take-off Speed(540 rpm)					
47.80 (35.65)	2475	3.66 (13.87)	0.538 (0.327)	13.05 (2.57)	

#### VARYING POWER AND FUEL CONSUMPTION

48.01 (35.80)	2700	3.95 (14.93)	0.577 (0.351)	12.17 (2.40)	Air temperature
42.46 (31.66)	2801	3.50 (13.26)	0.579 (0.352)	12.12 (2.39)	75°F (24°C)
32.17 (23.99)	2841	2.82 (10.68)	0.616 (0.374)	11.41 (2.25)	Relative humidity
21.75 (16.22)	2871	2.26 (8.57)	0.731 (0.445)	9.61 (1.89)	34%
10.88 (8.11)	2913	1.75 (6.63)	1.130 (0.688)	6.21 (1.22)	Barometer
0.61 (0.46)	2938	1.37 (5.18)	15.732 (9.569)	0.45 (0.09)	28.84"Hg (97.66 kPa)

Maximum Torque 122 lb.-ft. (165 Nm) at 1657 rpm  
 Maximum Torque Rise - 30.6%  
 Torque rise at 2203 rpm - 20%

#### TRACTOR SOUND LEVEL WITHOUT CAB

At no load in 7th (M3) gear	Front Wheel Drive	
	Disengaged dB(A)	Engaged dB(A)
Bystander	89.0	89.0
	--	--

#### TIRES AND WEIGHT

**Rear Tires**—No., size, ply & psi (kPa)  
**Front Tires**—No., size, ply & psi (kPa)  
**Height of Drawbar**  
**Static Weight with operator**—Rear  
     — Front  
     — Total

#### Tested Without Ballast

Two 18.4-24; 8:12 (85)  
 Two 12-16.5; 8:12 (85)  
 17.0 in (405 mm)  
 3035 lb (1377 kg)  
 1825 lb (828 kg)  
 4860 lb (2205 kg)

**Location of Test:** Nebraska Tractor Test Laboratory, University of Nebraska, Lincoln Nebraska 68583-0832

**Dates of Test:** April 29-30, 2004

**Manufacturer:** CNH America LLC, 700 State Street, Racine, Wi. 53404

**FUEL, OIL and TIME:** Fuel No. 2 Diesel Specific gravity converted to 60°/60° F (15°/15°C) 0.8432 Fuel weight 7.021 lbs/gal (0.841 kg/l) Oil SAE 15W40 API service classification CF-4/SG Transmission and hydraulic lubricant New Holland M2C134D fluid Front axle lubricant New Holland M2C134D fluid Total time engine was operated 11.0 hours

**ENGINE: Make** ISM Diesel **Type** four cylinder vertical with turbocharger **Serial No.** 27999 **Crankshaft** lengthwise **Rated engine speed** 2700 **Bore and stroke** 3.307" x 3.937" (84.0 mm x 100.0 mm) **Compression ratio** 22.4 to 1 **Displacement** 135 cu in (2216 ml) **Starting system** 12 volt **Lubrication** pressure **Air cleaner** two paper elements **Oil filter** one full flow cartridge **Oil cooler** engine coolant heat exchanger for crankcase oil, radiator for hydraulic and transmission oil **Fuel filter** one paper element **Muffler** underhood **Exhaust** horizontal **Cooling medium temperature control** one thermostat

**ENGINE OPERATING PARAMETERS: Fuel rate:** 25.5 - 28.0 lb/h (11.6 - 12.7 kg/h) **High idle:** 2850 - 2950 rpm **Turbo boost:** nominal 8.0 - 10.1 psi (55 - 70 kPa) as measured 9.4 psi (65 kPa)

**CHASSIS: Type** front wheel assist **Serial No.** HX10016 **Tread width** rear 52.8" (1341 mm) to 76.3" (1939 mm) front 56.4" (1432 mm) **Wheelbase** 74.8" (1900 mm) **Hydraulic control system** direct engine drive **Transmission** selective gear fixed ratio **Nominal travel speeds mph (km/h)** first 1.16 (1.86) second 1.56 (2.51) third 2.04 (3.29) fourth 2.62 (4.22) fifth 2.90 (4.67) sixth 3.93 (6.32) seventh 5.15 (8.28) eighth 6.61 (10.63) ninth 8.17 (13.15) tenth 11.06 (17.80) eleventh 14.48 (23.30) twelfth 18.59 (29.91) reverse 1.17 (1.88), 1.58 (2.55), 2.07 (3.33), 2.66 (4.28), 2.94 (4.73), 3.98 (6.41), 5.21 (8.39), 6.69 (10.77), 8.28 (13.32), 11.21 (18.04), 14.68 (23.62), 18.83 (30.31) **Clutch** single dry disc operated by foot pedal **Brakes** single wet disc operated by two foot pedals which can be locked together **Steering** hydrostatic **Power take-off** 540 rpm at 2475 engine rpm **Unladen tractor mass** 4685 lb (2125 kg)

### THREE POINT HITCH PERFORMANCE (OECD Static Test)

CATEGORY: I, II

Quick Attach: None

Maximum Force Exerted Through Whole Range:	2776 lbs	(12.3 kN)	Category I
	2430 lbs	(10.8 kN)	Category II
i) Opening pressure of relief valve:	NA		
Sustained pressure of the open relief valve:	2550 psi	(176 bar)	
ii) Pump delivery rate at minimum pressure and rated engine speed:	10.9 GPM	(41.3 l/min)	
iii) Pump delivery rate at maximum			
hydraulic power:	10.7 GPM	(40.5 l/min)	
Delivery pressure:	1965 psi	(135 bar)	
Power:	12.3 HP	(9.1 kW)	

### THREE POINT HITCH PERFORMANCE

Observed Maximum Pressure psi.(bar)	2565(177)
Location:	lift cylinder
Hydraulic oil temperature: °F(°C)	178(81)
Location:	hydraulic sump
Category:	I, II
Quick attach:	none

#### Category I

SAE Static Test—System pressure 2320 psi (160 Bar)

Hitch point distance to ground level in. (mm)	8.0 (203)	14.0 (356)	20.1 (511)	25.9 (658)	32.1 (815)
Lift force on frame lb	3832	3647	3433	3180	2789
" " " " " " (kN)	(17.0)	(16.2)	(15.3)	(14.1)	(12.4)

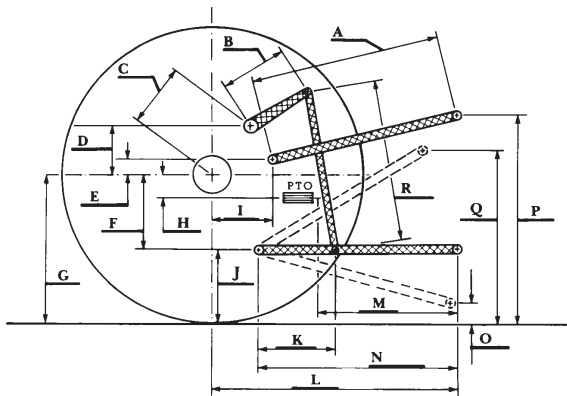
#### Category II

SAE Static Test—System pressure 2320 psi (160 Bar)

Hitch point distance to ground level in. (mm)	8.2 (208)	15.2 (386)	22.0 (559)	29.0 (737)	35.9 (912)
Lift force on frame lb	3439	3356	3143	2892	2305
" " " " " " (kN)	(15.3)	(14.9)	(14.0)	(12.9)	(10.3)

	Category I		Category II	
	inch	mm	inch	mm
A	23.1	587	23.0	584
B	11.8	300	11.8	300
C	13.5	344	13.5	344
D	13.5	342	13.5	342
E	10.3	262	10.3	262
F	5.2	132	5.2	132
G	26.0	660	26.0	660
H	0.5	13	0.5	13
I	12.2	309	12.2	309
J	20.8	528	20.8	528
K	14.2	362	14.2	361
L	34.6	879	34.5	876
M	22.9	582	22.8	579
N	31.5	800	31.4	797
O	6.6	168	6.9	175
P	38.9	988	39.9	1013
Q	34.1	865	34.5	876
R	21.4	543	21.4	543

HITCH DIMENSIONS AS TESTED - NO LOAD



Agricultural Research Division  
 Institute of Agriculture and Natural Resources  
 University of Nebraska-Lincoln  
 Darrell Nelson, Dean and Director

**REPAIRS AND ADJUSTMENTS:** The fuel tank was found to be leaking following the PTO tests.

**NOTE:** The performance results on this report were obtained from tests carried out on the Case IH DX 55 Diesel.

**REMARKS:** All test results were determined from observed data obtained in accordance with official OECD, SAE and Nebraska test procedures. This tractor did not meet the manufacturer's claims of 3465 lb (1571 kg) 3 point hitch lift at 24" nor 11.6 GPM (43.9 lpm) hydraulic flow. For the maximum power tests, the fuel temperature at the injection pump inlet was maintained at 104°F (40°C).

We, the undersigned, certify that this is a true and correct report of official Tractor Test No. 1837A, November 1, 2004

Leonard L. Bashford  
 Director

M.F. Kocher  
 V.I. Adamchuk  
 W.P. Campbell  
 Board of Tractor Test Engineers



New Holland TC55DA Diesel