

2010

## Analysis of miRNA Modifications

Bin Yu

Xuemei Chen

Follow this and additional works at: <https://digitalcommons.unl.edu/bioscifacpub>

 Part of the [Biology Commons](#)

---

Yu, Bin and Chen, Xuemei, "Analysis of miRNA Modifications" (2010). *Faculty Publications in the Biological Sciences*. 592.  
<https://digitalcommons.unl.edu/bioscifacpub/592>

This Article is brought to you for free and open access by the Papers in the Biological Sciences at DigitalCommons@University of Nebraska - Lincoln. It has been accepted for inclusion in Faculty Publications in the Biological Sciences by an authorized administrator of DigitalCommons@University of Nebraska - Lincoln.



Published in final edited form as:

*Methods Mol Biol.* 2010 ; 592: 137–148. doi:10.1007/978-1-60327-005-2\_10.

## Analysis of miRNA Modifications

Bin Yu and Xuemei Chen

### Abstract

After transcription, a large number of cellular RNAs employ modifications to increase their diversity and functional potential. Modifications can occur on the base, ribose, or both, and are important steps in the maturation of many RNAs. Our lab recently showed that plant microRNAs (miRNAs) possess a 2'-*O*-methyl group on the ribose of the 3' terminal nucleotide, and that this methyl group is added after miRNA/miRNA\* formation. One function of this modification is to protect miRNAs from 3' terminal uridylation by an unknown enzymatic activity. It is possible that uridylation of miRNAs triggers their degradation. Here we describe a protocol to purify a specific miRNA in order to determine its molecular mass so that the presence of a modification can be inferred, an in vivo method to detect 3' terminal modification of miRNAs, and an ( $\alpha$ -<sup>32</sup>P) dATP incorporation assay to study 3' terminal uridylation of miRNAs.

### Keywords

miRNA; Methylation; Uridylation;  $\beta$  elimination

## 1. Introduction

MicroRNAs (miRNAs) are short noncoding RNAs that recognize partially or completely complementary sequences inside target mRNAs and guide cleavage or translational inhibition of target mRNAs (1). This ability has made miRNAs important regulators of gene expression in both animals and plants (1). miRNAs are generated from long stem-loop precursor transcripts known as pri-miRNAs (1). In animals, an RNAase III enzyme Drosha processes pri-miRNAs into pre-miRNAs, which are processed by another RNAase III enzyme Dicer to generate transient 20–24 nucleotide (nt) miRNA/miRNA\* duplexes (2–5). In plants, an RNAase III enzyme DICER LIKE1 (DCL1) processes priamiRNAs to preamiRNAs and pre-miRNAs to miRNA/miRNA\* duplexes (6,7) with the aid of HYL1 and SERRATE (8–11). miRNA/miRNA\* duplexes show typical features of RNAase III products, 5' P, 3' OH and a 2 nt overhang on each strand (4, 12).

Recently, our lab showed that *Arabidopsis* miRNA/miRNA\* duplexes have an additional feature, 2'-*O*-methylation on the 3' terminal ribose (13, 14), and an enzyme named HUA ENHANCER1 (HEN1; 15) catalyzes the methylation reaction (13). We revealed the presence of a methyl group on miR173 via mass spectrometry analysis of miR173 purified from *Arabidopsis* total RNAs. We also demonstrated the presence of methylation at the 3' termini of miRNAs by treating miRNAs with sodium periodate followed by  $\beta$  elimination

(13). Complete or partial loss-of-function mutations in HEN1, such as *hen1-1* or *hen1-2*, result in reduced accumulation and size heterogeneity of miRNAs and pleiotropic developmental defects (6, 15, 16). With the cloning of particular miRNAs and with an ( $\alpha$ - $^{32}\text{P}$ ) dATP incorporation assay, we showed that the size heterogeneity of miRNAs in *hen1* mutants comes from 3' terminal uridylation, suggesting that unmethylated miRNAs are modified by an unknown polymerase activity in plants (17).

In this chapter, we describe a procedure to purify a specific miRNA for mass spectrometry analysis and a protocol to perform  $\beta$  elimination to detect modifications on the 3' terminal ribose of miRNAs. We also describe an ( $\alpha$ - $^{32}\text{P}$ ) dATP incorporation assay to detect 3' terminal uridylation.

## 2. Materials

<b>2.1. Purifying miR173 with a Complementary Oligonucleotide Probe Coupled to Biotin</b>	1	Tri-reagent (Molecular Research Center, Inc. Cat#TR 118).
	2	<i>Diethyl pyrocarbonate (DEPC)-treated water.</i> Add 1 ml DEPC to 1 l deionized water, stir overnight, and autoclave the next day.
<b>2.1.1. Extraction of RNAs</b>	3	Chloroform (VWR, cat# EM-CX1055-14).
	4	Isopropanol (VWR, cat# EM-PX1838-1).
	5	<i>100% ethanol and 70% ethanol.</i> Mix 70-ml 100% ethanol with 30-ml DEPC-treated water.
<b>2.1.2. Annealing of Probe</b>	1	Biotinylated probe. 5' biotin-aagtgtattctctgcaagcga 3' (see Note 1).
	2	20 $\times$ SSC.
	3	RNasin Plus RNase Inhibitor (Promega, cat # N2615).
<b>2.1.3. Preparation of Streptavidin Magnetic Particles</b>	1	Streptavidin magnetic particles (Roche, cat# 11641778001).
	2	0.5 $\times$ SSC.
	3	Magnetic stand (Promega).
<b>2.1.4. Capturing of Annealed Biotinylated-Oligonucleotide/miRNA Hybrids and Elution of miRNA</b>	1	Exonuclease I (GE Healthcare, cat# E70073Z).

## 3. Quantification of Purified miRNA by RNA Filter Hybridization

1	5 $\times$ TBE and 0.5 $\times$ TBE.
2	2 $\times$ RNA loading buffer. Mix 8 ml formamide, 2 ml 5 $\times$ TBE, 10 mg bromophenol blue and 10 mg xylene cyanol.
3	<i>15% polyacrylamide gel containing 42% urea.</i> Dissolve 42 g urea in 4 ml 5 $\times$ TBE and 15 ml 40% acrylamide (acrylamide:bis-acrylamide, 29:1) and add water to 40 ml. Add 320 $\mu$ l 10% APS and 24 $\mu$ l TEMED (see Note 2).
4	Zeta-probe GT membrane (BioRad, cat# 162-093).
5	Ultraspeed-Oligo hybridization buffer (Ambion, cat# AM8663).
6	T4 polynucleotide kinase (NEB, cat# M0201S).
7	( $\gamma$ - $^{32}\text{P}$ ) ATP (PerkinElmer).

<sup>1</sup>The molecular weight of the biotinylated probe should have a large difference from that of the miRNA to be isolated. This is to prevent the biotinylated probe, which will be inevitably eluted in the purification process together with the miRNA, from interfering with the mass spectrometry analysis of the miRNA.

<sup>2</sup>It is convenient to make a 1 l stock without the addition of APS and TEMED. The stock can be stored at 4°C in the dark.

	8	DNA probe 5' gtgattctctctgcaagcga 3' and synthesized miR173 5' UUCGCUUGCAGAGAGAAAUCAC 3' (a, t, g and c are deoxyribonucleotides; A, U, G and C are ribonucleotides).
	9	2× SSC with 0.5% SDS.
<b>3.1. Monitoring 3' Terminal Methylation by β Elimination</b>	1	0.06 M borax/boric acid buffer (pH 8.6; see Note 3).
	2	0.055 M borax/boric acid/NaOH (pH 9.5).
<i>3.1.1. Extraction of RNAs (See Subheading 2.1.1)</i>	3	200 mM sodium periodate (see Note 4).
	4	Glycerol.
<i>3.1.2. Periodate Treatment and β Elimination</i>	5	Glycogen (Fermentas, cat# R0551).
	6	3 M sodium acetate (pH 5.2, DEPC-treated).
	7	G25 column (GE Healthcare).
<b>3.2. Monitoring 3' Uridylation by an [α-<sup>32</sup>P]dATP Incorporation Assay</b>	1	50% polyethylene glycol 8000 (DEPC-treated).
	2	5 M NaCl (DEPC-treated).
<i>3.2.1. Enrichment of Small RNAs</i>		
<i>3.2.2. Isolation of 18–30 nt Small RNAs by Electrophoresis</i>	1	Decade™ markers (Ambion, cat# AM7778).
	2	RNA elution buffer containing 20 mM Tris-HCL (pH 7.5), 0.5 M sodium Acetate, 10 mM EDTA, and 1% SDS.
	3	Glass wool.
	4	Chloroform/Phenol (1:1).
<i>3.2.3. Ligation to 3' Adaptor and Purification of Small RNAs After 3' Adaptor Ligation</i>	1	Alkaline Phosphatase, Calf Intestinal (CIP) (NEB, cat# M0290L).
	2	RNA ligase (GE Healthcare, cat# E2050Y).
	3	3' adaptor: 5' P-UUUctgtaggccatcaat-iT 3' (P is phosphate, a, t, g and c are deoxyribonucleotides; U is ribonucleotide, iT is inverted deoxythymidine).
<i>3.2.4. Reverse Transcription and Amplification of miR167</i>	1	<i>microP2 primer</i> : 5' attgatggcctacagttt 3'.
	2	<i>miR167P1</i> : 5' tgaagctgccagcatga 3' (see Note 5).
	3	M-MuLV reverse transcriptase (NEB, cat# M0253S).
	4	10 mM dNTP.
	5	Gotaq DNA polymerase (Promega, cat# M3005).
<i>3.2.5. Purification of DNA by Electrophoresis</i>	1	6× DNA loading buffer: 40% sucrose, 1 mg/ml bromophenol blue, and 1 mg/ml xylene cyanol.
	2	12% native polyacrylamide gel.
	3	TrackIt 10 bp DNA ladder (Invitrogen, cat# 10488-019).
	4	0.3 M Sodium acetate (DEPC-treated).
<i>3.2.6. [α-<sup>32</sup>P] dATP Incorporation Assay</i>	1	(α- <sup>32</sup> p) dATP (PerkinElmer).

## 4. Methods

Outline of the methods described below:

<sup>3</sup>To make borax/boric acid buffer (0.06 M, pH 8.6), make 0.06 M borax and 0.06 M boric acid. Use borax to adjust the pH of the boric acid to 8.6.

<sup>4</sup>Sodium periodate needs to be kept in the dark, as it is sensitive to light.

<sup>5</sup>As this experiment is to study the 3' terminus of the miRNA, the miRNA-specific primer should correspond to the 5' portion of the miRNA.

- 1 Purification of miR173.
- 2 Detection of RNA 3' terminal methylation by  $\beta$  elimination.
- 3 Detection of 3' uridylation by an ( $\alpha$ -<sup>32</sup>P) dATP incorporation assay.

#### 4.1. Purification of miR173 with a Complementary Oligonucleotide Probe Coupled to Biotin

We describe an affinity procedure to purify miR173 from total RNAs (see Fig. 1). Briefly, a complementary oligonucleotide probe coupled to biotin will be annealed with miR173 in a high salt solution and the hybrids will then be captured by magnetic streptavidin particles. After washes, miR173 will be eluted with water.

##### 4.1.1. Extraction of Total RNAs

- 1 Grind *Ambidopsis* tissue in liquid nitrogen to fine powder with a mortar and pestle.
- 2 Transfer the powder to a centrifuge tube, add tri-reagent (10 ml per 1 g of fresh tissue), mix vigorously by vortexing and incubate at room temperature (RT) for 5 min.
- 3 Add chloroform (1/5 volume), mix vigorously, and incubate at RT for 15 min.
- 4 Centrifuge at 12,000g for 15 min at 4°C.
- 5 Transfer the aqueous phase to a fresh centrifuge tube, add isopropanol (1/2 volume), mix, and incubate for 10 min at RT.
- 6 Centrifuge at 12,000g for 10 min at 4°C.
- 7 Remove supernatant, wash with 70% ethanol (1 ml per 1 ml tri-reagent used), and air-dry pellet for 5 min (see Note 6).
- 8 Dissolve RNA in water by mixing through a pipette tip and incubating for 10–15 min at 60°C.

##### 4.1.2. Annealing of Probe

- 1 Transfer 500  $\mu$ l of total RNA (1–2  $\mu$ g/ $\mu$ l) to an RNase free tube and incubate for 15 min at 65°C (see Note 7).
- 2 Add 3  $\mu$ l biotinylated oligonucleotide probe, 5  $\mu$ l RNase inhibitor and 13  $\mu$ l 20 $\times$  SSC to RNA, and incubate at 50°C for 5–12 h.

##### 4.1.3. Preparation of Streptavidin Magnetic Particles

- 1 Transfer 50  $\mu$ l of streptavidin magnetic particles (SMPs) to an RNAase-free tube. Capture the particles by placing the tube in the magnetic stand until the SMPs have collected on one side of the tube (approximately 30 s).
- 2 Carefully remove the supernatant. Do not centrifuge the particles.
- 3 Wash the SMPs by adding 250  $\mu$ l of 0.5 $\times$  SSC followed by the capture of the SMPs using the magnetic stand and carefully removing the supernatant. Repeat these steps two more times.

##### 4.1.4. Capturing of Annealed Oligonucleotide-miRNA Hybrids and Elution of the miRNA

- 1 Transfer the annealing reaction to the tube containing the washed SMPs.
- 2 Incubate at RT for 20 min. Gently mix by inverting the tube every 1–2 min.
- 3 Capture the SMPs using the magnetic stand and carefully remove the supernatant without disturbing the SMP pellet (see Note 8).
- 4 Wash the particles four times with 0.5 $\times$  SSC (200  $\mu$ l per wash). After the final wash, remove as much of the supernatant as possible without disturbing the SMPs.
- 5 Elute the miRNA from the SMPs by adding 50  $\mu$ l of H<sub>2</sub>O followed by incubation at 65°C for 5 min.
- 6 Add 2  $\mu$ l of exonuclease I and incubate for 1 h to degrade any DNA oligonucleotide that is co-eluted with the miRNA.

##### 4.1.5. Quantification of the Purified miRNA by RNA Filter Hybridization

The amount of purified miR173 can be estimated by northern blotting and comparing its signal intensity to that of a series of standards of known concentrations.

- 1 Prepare solutions of the synthesized miR173 standard in four different concentrations by adding 0.5 ng, 1 ng, 2.5 ng and 5 ng miR173 in 5  $\mu$ l H<sub>2</sub>O. Add 5  $\mu$ l of RNA loading buffer to 5  $\mu$ l of purified miR173 and the four standards, incubate at 65°C for 5 min, and leave on ice.
- 2 Resolve RNAs on a 15% polyacrylamide gel containing 42% urea.
- 3 Transfer the RNAs to Zeta-probe GT membrane using a semi-dry transfer apparatus (see Note 9).

<sup>6</sup>Do not completely dry the RNA pellet, as this will greatly decrease its solubility.

<sup>7</sup>To obtain enough miRNA for mass spectrometry analysis, the starting amount of total RNAs should be scaled up based on the amount described here.

<sup>8</sup>Save the supernatant from step 3 until you are certain that satisfactory binding and elution of the miRNA have occurred.

<sup>9</sup>The current for the transfer is 2 mA per cm<sup>2</sup> membrane, but this needs to be experimentally determined for other transfer apparatus.

- 4 Fix RNA to the membrane by ultraviolet cross-linking for 1 min followed by baking at 80°C for 1 h.
- 5 Prehybridize in Ultrahyb-Oligo hybridization buffer for 1.5 h at 42°C.
- 6 Prepare die 5' end labeled probe by incubating a mixture of 34.5 µl H<sub>2</sub>O, 5µl 10× T4 polynucleotide kinase (PNK) buffer (700 mM Tris-HCl, 100 mM MgCl<sub>2</sub> and 50 mM Dithiothreitol, pH 7.6), 5µl PNK, 0.5 µl 100µM DNA oligonucleotide, and 5µl (γ-<sup>32</sup>P) ATP (6,000 Ci/mMol) at 37°C for 1 h.
- 7 Pass the labeling reaction through a G-25 column to eliminate the free ATP.
- 8 Add the probe to the prehybridization reaction and incubate for 18 h in a hybridization oven.
- 9 Wash the membrane three times with 2× SSC/0.5% SDS at 42°C.
- 10 Visualize and quantify the radioactive signals with a PhosphorImager.

#### 4.2. Detection of 3' Terminal Methylation by β Elimination

The presence of a methyl group on the 3' terminal ribose of miR173 was detected by filter hybridization of total RNAs that have been treated with sodium periodate followed by β elimination (13). As shown in Fig. 2a, periodate cleaves the vicinal hydroxyl groups of the last nucleoside of miR173 to produce a dialdehyde when free hydroxyl groups are present in both 2' and 3' positions on the ribose of the last nucleotide (18). The β elimination reaction then removes the last nucleotide to generate an RNA that is 1 nt shorter and that has a phosphate group at the 3' terminus (see Fig. 2a). Thus, after the chemical treatments, miR173 with two free hydroxyl groups at the 3' terminus will migrate approximately 2 nt faster than it will without treatment, which can be detected by RNA filter hybridization (see Fig. 2b, hen1-1). If methylation occurs on the 3' terminal ribose of miR173, the methyl group will block the chemical reactions. Therefore, the chemical treatment will not change the mobility of methylated miR173 (see Fig. 2b, Ler).

##### 4.2.1. Preparation of RNAs from Ler and hen1-1 (See subheading 3.1.1)

- 1 Dissolve ~100µg of RNA in 88 µl borax/boric acid buffer and add 12.5 µl of sodium periodate.
- 2 Incubate in the dark at RT for 1 h.
- 3 Add 10µl of glycerol and incubate for another 30 min to stop the reaction.

##### 4.2.2. Periodate Treatment and β Elimination

- 4 Add 1µl glycogen, 10µl sodium acetate, and 300µl ethanol to precipitate RNA.
- 5 Dissolve precipitated RNA in 100µl of borax/boric acid/NaOH and incubate for 90 min at 45°C.
- 6 Pass the reaction through a G25 column to remove salts (optional).
- 7 Precipitate RNA with ethanol.

#### 4.3. Probing miR173 by RNA Filter Hybridization (See Subheading 3.1.5)

We employ an (α-<sup>32</sup>P) dATP incorporation assay to study the 3' uridylation of miRNAs (17). After small RNAs are isolated, they are ligated to a 3' adaptor, and reverse transcribed with a primer complementary to the 3' adaptor (see Fig. 3a). After this, miR167 is selectively amplified with an miRNA-specific primer that corresponds to the 5' portion of miR167 and the 3' adaptor primer. miR167 with U-tails in hen1-2 will generate a pool of PCR products with various numbers of T residues adjacent to the 3' adaptor, whereas miR167 from the wild type will produce products in which no Ts are adjacent to the 3' adaptor (see Fig. 3a). Taq DNA polymerase will be used to extend the RT-PCR products with a primer complementary to the 3' adaptor, in the presence of only (α-<sup>32</sup>P) dATP (see Fig. 3a). In this primer extension, the templates from U-tailed miRNAs will generate a ladder of products with varying numbers of A residues in the hen1-2 sample (see Fig. 3b, hen1-2), whereas the products from the wild-type sample will be rarely extended beyond the adaptor (see Fig. 3b, Ler).

##### 4.4.1. Enrichment of Small RNAs

Our lab uses a polyethylene glycol/NaCl (PEG/NaCl) method to separate low molecular weight RNAs from high molecular weight RNAs.

- 1 Dissolve ~1 mg total RNA pellet from Ler or hen1-2 in 400µl of H<sub>2</sub>O, add 50µl of PEG (50%), and 50µl of NaCl (5 M), mix and leave on ice for at least 1 h.
- 2 Centrifuge at 13,000, g for 10 min. Transfer the supernatant to a new tube.
- 3 Add 1 µl of glycogen, 50 µl of sodium acetate, and 3 volumes of 100% ethanol. Incubate at -20°C for at least 2 h.
- 4 Centrifuge at maximum speed for 20 min at 4°C. Wash the pellet with 70% ethanol.
- 5 Air-dry the pellet for 5 min and dissolve in DEPC-treated water.

##### 4.4.2. Isolation of 18–30 nt Small RNAs by Electrophoresis

- 1 Resolve small RNAs and <sup>32</sup>P-labelled RNA size markers on a 15% polyacrylamide gel containing 42% urea.
- 2 Excise 20–30 nt small RNAs (sizes were estimated based on RNA decade markers) from the gel.
- 3 Elute small RNAs by incubating the gel slice in RNA elution buffer at 65°C for 4 h. Pass the solution through glass wool, extract with equal volumes of chloroform/phenol twice, and precipitate RNAs with three volumes of 100% ethanol.
- 4 Air-dry the pellet for 5 min and dissolve in 25 µl of DEPC-treated water.

##### 4.4.3. Ligation to 3 Adaptor and Purification of Small RNAs Ligated to the 3 Adaptor

- 1 Dephosphorylate small RNAs by adding 3 µl of 10× NEB Buffer 3 (500 mM tris-HCl, 1,000 mM NaCl, 10 mM MgCl<sub>2</sub>, and 10 mM Dithiothreitol, pH 7.9) and 2 µl of CIP. Incubate at 37°C for 1 h.
- 2 Add 70 µl of water, extract with 100 µl of chloroform/phenol and precipitate with ethanol.

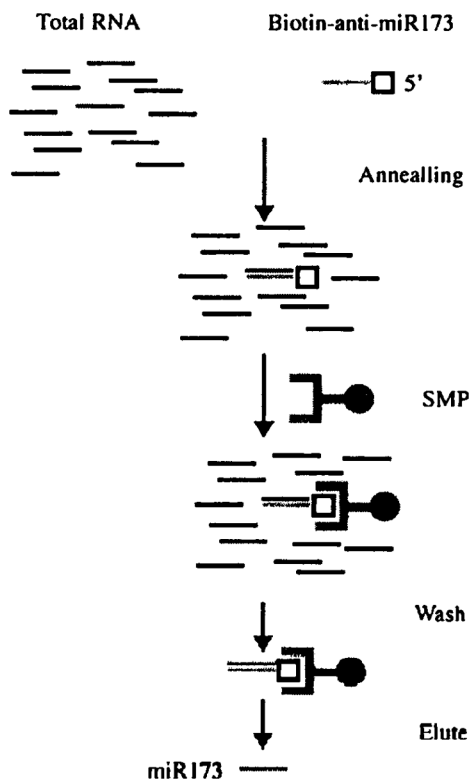
- 3 Dissolve RNAs in 10 $\mu$ l of water and add 3 $\mu$ l 10 $\times$  ligation buffer (500 mM Tris–HCl, 100 mM MgCl<sub>2</sub>, 10 mM ATP and 100 mM Dithiothreitol, pH7.8), 3 $\mu$ l BSA, 13 $\mu$ l adaptor and 1  $\mu$ l T4 RNA ligase. Incubate for 16 h at 8°C.
- 4 Purify small RNAs ligated to the 3' adaptor by electrophoresis (see Subheading 3.3.2)
- 4.4.4. Reverse Transcription and PCR Amplification (RT-PCR)**
- 1 Mix 13.5  $\mu$ l of small RNAs ligated to the adaptor and 2 $\mu$ l of microP2 primer, incubate at 65°C for 5 min, and leave on ice.
- 2 Add 2 $\mu$ l 10 $\times$  RT buffer (500 mM tris–HCl, 750 mM KCl, 30 mM MgCl<sub>2</sub> and 100 mM Dithiothreitol, pH 8.0), 1  $\mu$ l dNTP (10 mM), 0.5 $\mu$ l RNase inhibitor, and 1  $\mu$ l MuLV reverse transcriptase. Incubate at 42°C for 1 h.
- 3 Perform PCR in the solution containing 38.5  $\mu$ l H<sub>2</sub>O, 4 $\mu$ l RT products, 5  $\mu$ l 10 $\times$  PCR buffer (2,000 mM Tris–HCl, 500 mM KCl and 15-mM MgCl<sub>2</sub>, pH 8.4), 1  $\mu$ l dNTP (10 mM), 1  $\mu$ l miR167P1, 1  $\mu$ l microP2, and 0.5  $\mu$ l Taq DNA polymerase.
- 4.4.5. Purification of DNA by Electrophoresis**
- 1 Resolve PCR products and DNA size markers on a 12% native polyacrylamide gel and visualize DNA by ethidium bromide staining.
- 2 Excise the DNA band from the gel and cut the gel slices into many small pieces.
- 3 Add 500  $\mu$ l of 300 mM sodium acetate (pH 5.2), and shake at 37°C for 1 h.
- 4 Pass the solution through glass wool, extract with equal volumes of chloroform/phenol twice and precipitate with two volumes of 100% ethanol.
- 5 Dissolve the DNA pellet in 50  $\mu$ l of water.
- 4.4.6. ( $\alpha$ -<sup>32</sup>P) dATP Incorporation Assay**
- 1 Mix 12.2  $\mu$ l H<sub>2</sub>O, 1  $\mu$ l DNA (see Subheading 3.3.5), 1.5  $\mu$ l 10 $\times$  PCR buffer (2,000 mM Tris–HCl, 500 mM KCl and 15 mM MgCl<sub>2</sub>, pH 8.4) 0.2  $\mu$ l ( $\alpha$ -<sup>32</sup>P) dATP, 0.4  $\mu$ l microP2 (10  $\mu$ M), and 0.2  $\mu$ l Taq DNA polymerase.
- 2 Perform one cycle PCR (94°C for 90 s, 55°C for 30 s, and 72°C for 10 s).
- 3 Add 15  $\mu$ l of 2 $\times$  loading buffer and resolve 5  $\mu$ l of the reaction in a 15% polyacrylamide gel containing 42% urea.
- 4 Visualize the radioactive signals with a PhosphoImager.

## References

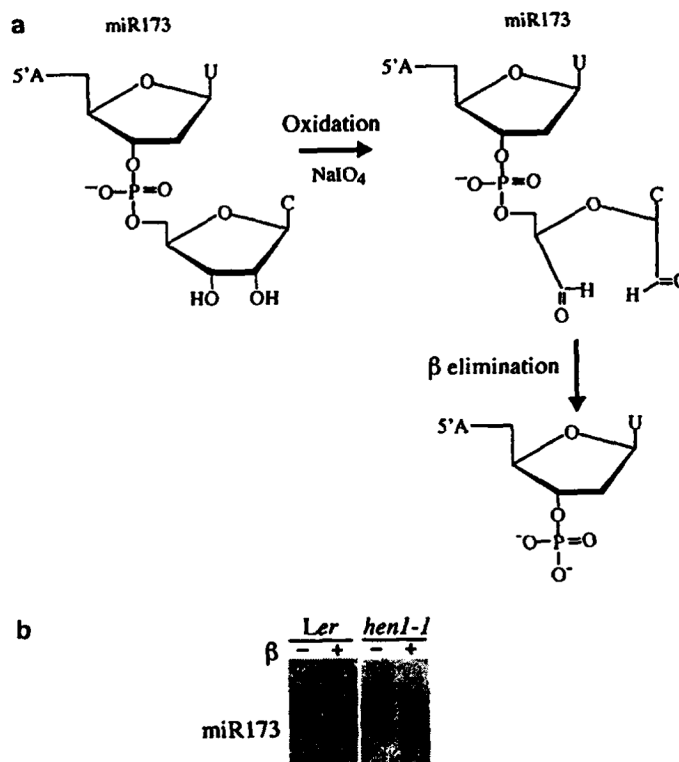
- Bartel DP. MicroRNAs: genomics, biogenesis, mechanism, and function. *Cell*. 2004; 116:281–297. [PubMed: 14744438]
- Grishok A, Pasquinelli AE, Conte D, Li N, Parrish S, Ha I, Baillie DL, Fire A, Ruvkun G, Mello CC. Genes and mechanisms related to RNA interference regulate expression of the small temporal RNAs that control *C. elegans* developmental timing. *Cell*. 2001; 106:23–34. [PubMed: 11461699]
- Hutvagner G, McLachlan J, Pasquinelli AE, Balint É, Tuschl T, Zamore PD. A cellular function for the RNA-interference enzyme Dicer in the maturation of the *let-7* small temporal RNA. *Science*. 2001; 293:834–838. [PubMed: 11452083]
- Lee Y, Ahn C, Han J, Choi H, Kim J, Yim J, Lee J, Provost P, Radmark O, Kim S, Kim VN. The nuclear RNase III Drosha initiates microRNA processing. *Nature*. 2003; 425:415–419. [PubMed: 14508493]
- Ketting RF, Fischer SE, Bernstein E, Sijen T, Hannon GJ, Plasterk RH. Dicer functions in RNA interference and in synthesis of small RNA involved in developmental timing in *C. elegans*. *Genes Dev*. 2001; 15:2654–2659. [PubMed: 11641272]
- Park W, Li J, Song R, Messing J, Chen X. CARPEL FACTORY, a Dicer homolog, and HEN1, a novel protein, act in microRNA metabolism in *Arabidopsis thaliana*. *Curr Biol*. 2002; 12:1484–1495. [PubMed: 12225663]
- Reinhart BJ, Weinstein EG, Rhoades MW, Bartel B, Bartel DP. MicroRNAs in plants. *Genes Dev*. 2002; 16:1616–1626. [PubMed: 12101121]
- Lobbès D, Rallapalli G, Schmidt DD, Martin C, Clarke J. SERRATE: a new player on the plant microRNA scene. *EMBO Rep*. 2006; 7:1052–1058. [PubMed: 16977334]
- Yang L, Liu Z, Lu F, Dong A, Huang H. SERRATE is a novel nuclear regulator in primary microRNA processing in *Arabidopsis*. *Plant J*. 2006; 47:841–850. [PubMed: 16889646]

10. Fang Y, Spector DL. Identification of nuclear dicing bodies containing proteins for microRNA biogenesis in living *Arabidopsis* plants. *Curr Biol*. 2007; 17:818–823. [PubMed: 17442570]
11. Song L, Han MH, Lesicka J, Fedoroff N. *Arabidopsis* primary microRNA processing proteins HYL1 and DCL1 define a nuclear body distinct from the Cajal body. *Proc Natl Acad Sci U S A*. 2007; 104:5437–5442. [PubMed: 17369351]
12. Basyuk E, Suavet F, Doglio A, Bordonne R, Bertrand E. Human *let-7* stem-loop precursors harbor features of RNase III cleavage products. *Nucleic Acids Res*. 2003; 31:6593–6597. [PubMed: 14602919]
13. Yu B, Yang Z, Li J, Minakhina S, Yang M, Padgett RW, Steward R, Chen X. Methylation as a crucial step in plant microRNA biogenesis. *Science*. 2005; 307:932–935. [PubMed: 15705854]
14. Yang Z, Ebright YW, Yu B, Chen X. HEN1 recognizes 21–24 nt small RNA duplexes and deposits a methyl group onto the 2' OH of the 3' terminal nucleotide. *Nucleic Acids Res*. 2006; 34:667–675. [PubMed: 16449203]
15. Chen X, Liu I, Cheng Y, Jia D. HEN1 functions pleiotropically in *Arabidopsis* development and acts in C function in the flower. *Development*. 2002; 129:1085–1094. [PubMed: 11874905]
16. Boutet S, Vazquez F, Liu J, Beclin C, Fagard M, Gratias A, Morel JB, Crete P, Chen X, Vaucheret H. *Arabidopsis* HEN1: a genetic link between endogenous miRNA controlling development and siRNA controlling transgene silencing and virus resistance. *Curr Biol*. 2003; 13:843–848. [PubMed: 12747833]
17. Li I, Yang Z, Yu B, Liu J, Chen X. Methylation protects miRNAs and siRNAs from a 3'-end uridylation activity in *Arabidopsis*. *Curr Biol*. 2005; 15:1501–1507. [PubMed: 16111943]
18. Alefelder S, Patel BK, Eckstein F. Incorporation of terminal phosphorothioates into oligonucleotides. *Nucleic Acids Res*. 1998; 26:4983–4988. [PubMed: 9776763]

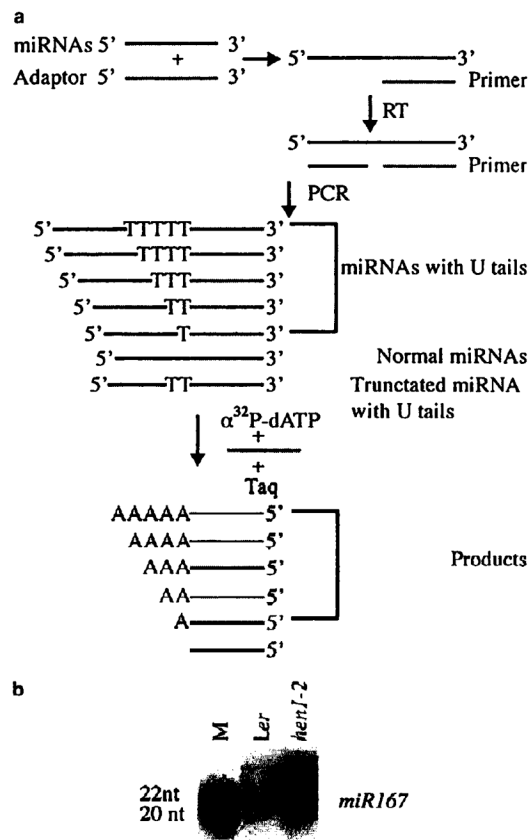




**Fig. 1.** A schematic illustration of the purification of miR173 from *Arabidopsis* total RNAs. The purification is achieved in three steps. The first step is the annealing of a biotinylated antisense miR173 probe to miR173 in total RNAs. The second step is the magnetic capturing of the duplex. The third step is the elution of miR173 after washes. *Small box* indicates biotin; SMP, streptavidin magnetic particle.

**Fig. 2.**

Detection of miRNA methylation by  $\beta$  elimination, (a) Diagram of periodate treatment followed by  $\beta$  elimination. The last two nucleotides of miR173 are shown. The vicinal hydroxyl groups of the 3' terminal ribose react with periodate such that the last nucleoside is converted into a dialdehyde, which is subsequently removed by  $\beta$  elimination. The resulting miR173 is one nucleotide shorter and carries a 3 $\beta$  P. (b) The methylation status of miR173 in Ler (wild type) and *hen1-1*. Total RNAs of Ler or *hen1-1* were treated with sodium periodate followed by  $\beta$  elimination, resolved by gel electrophoresis, and hybridized to an antisense miR173 probe, and the hybridization signals were visualized using a PhosphoImager.



**Fig. 3.** ( $\alpha\text{-}^{32}\text{P}$ ) dATP incorporation assay. **(a)** A schematic diagram of an ( $\alpha\text{-}^{32}\text{P}$ ) dATP incorporation assay (Adapted from Ref 17). **(b)** ( $\alpha\text{-}^{32}\text{P}$ ) dATP incorporation assay performed on miR167 from *Ler* and *hen1-2*.